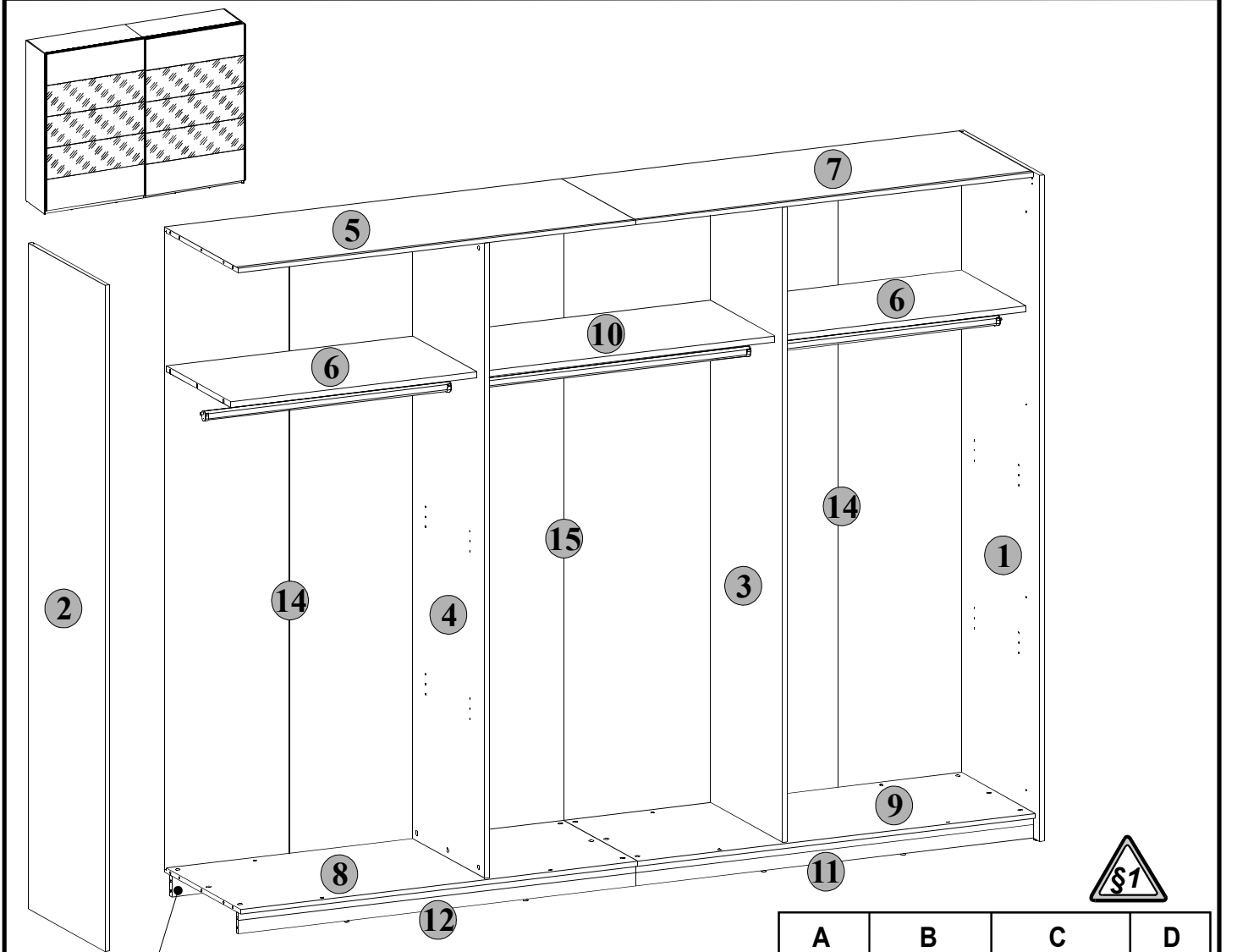
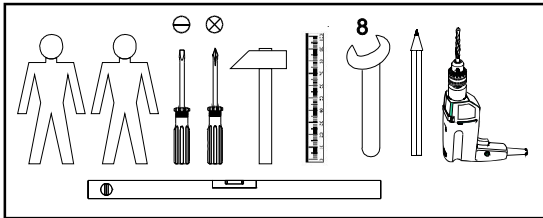


CD-MEGA270BLMR



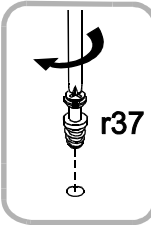
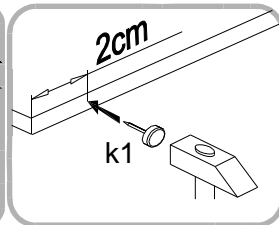
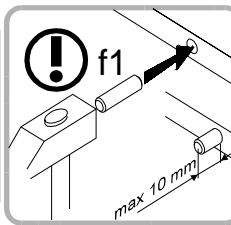
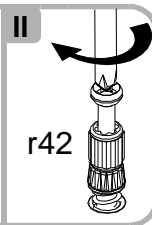
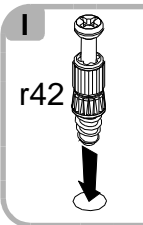
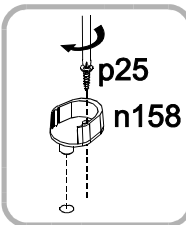
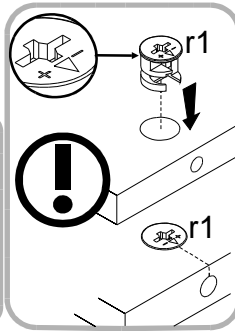
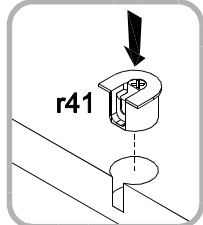
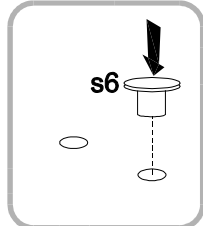
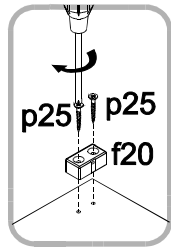
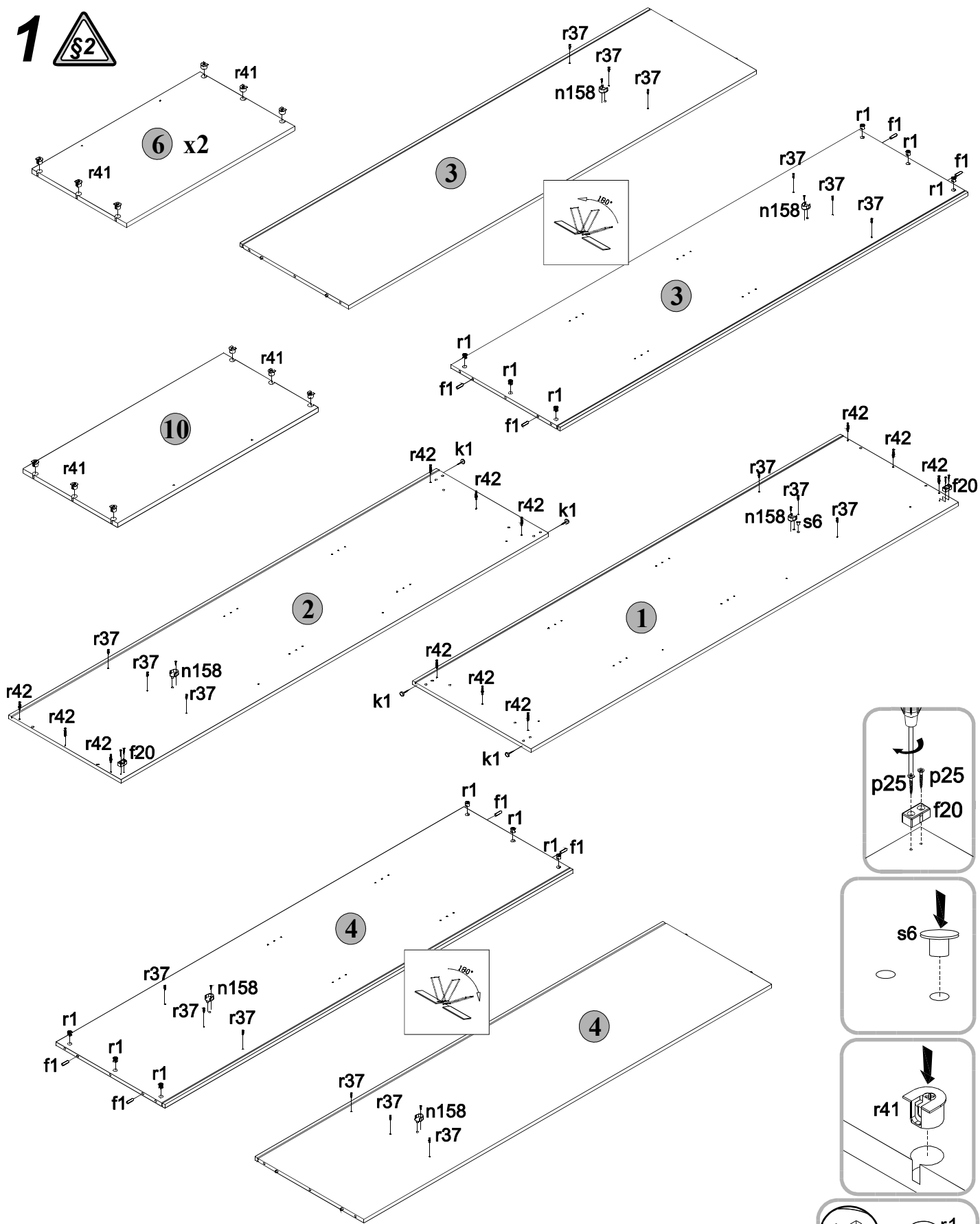
13 x2

	A	B	C	D
1	F27-110	2100x580	1/6	
2	F27-111	2100x551	1/6	
3	F27-112	2003x535	2/6	
4	F27-113	2003x535	2/6	
5	F27-317	1335x535	3/6	
6	F27-322	827x465	2/6	
7	F27-319	1335x535	3/6	
8	F27-320	1335x550	3/6	
9	F27-321	1335x550	3/6	
10	F27-316	986x465	2/6	
11	F27-408	1335x66	3/6	
12	F27-409	1335x66	3/6	
13	F27-410	1335x66	3/6	
14	F27-905	2012x837	1/6	
15	F27-906	2012x995	1/6	

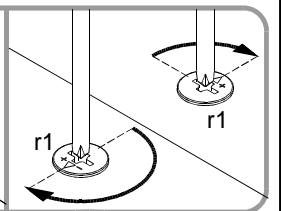
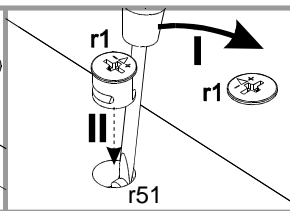
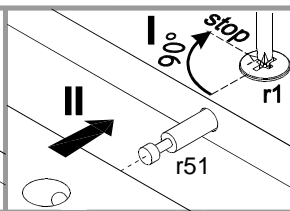
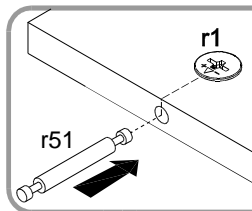
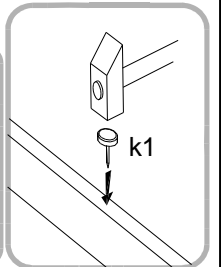
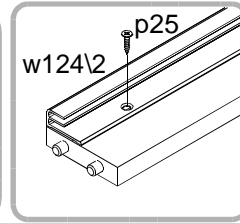
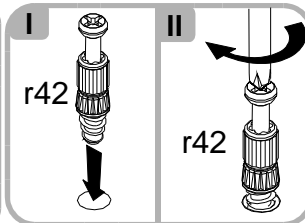
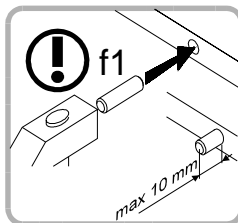
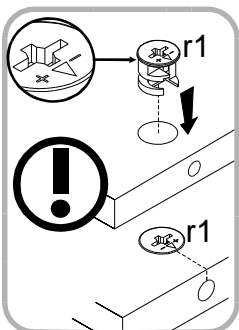
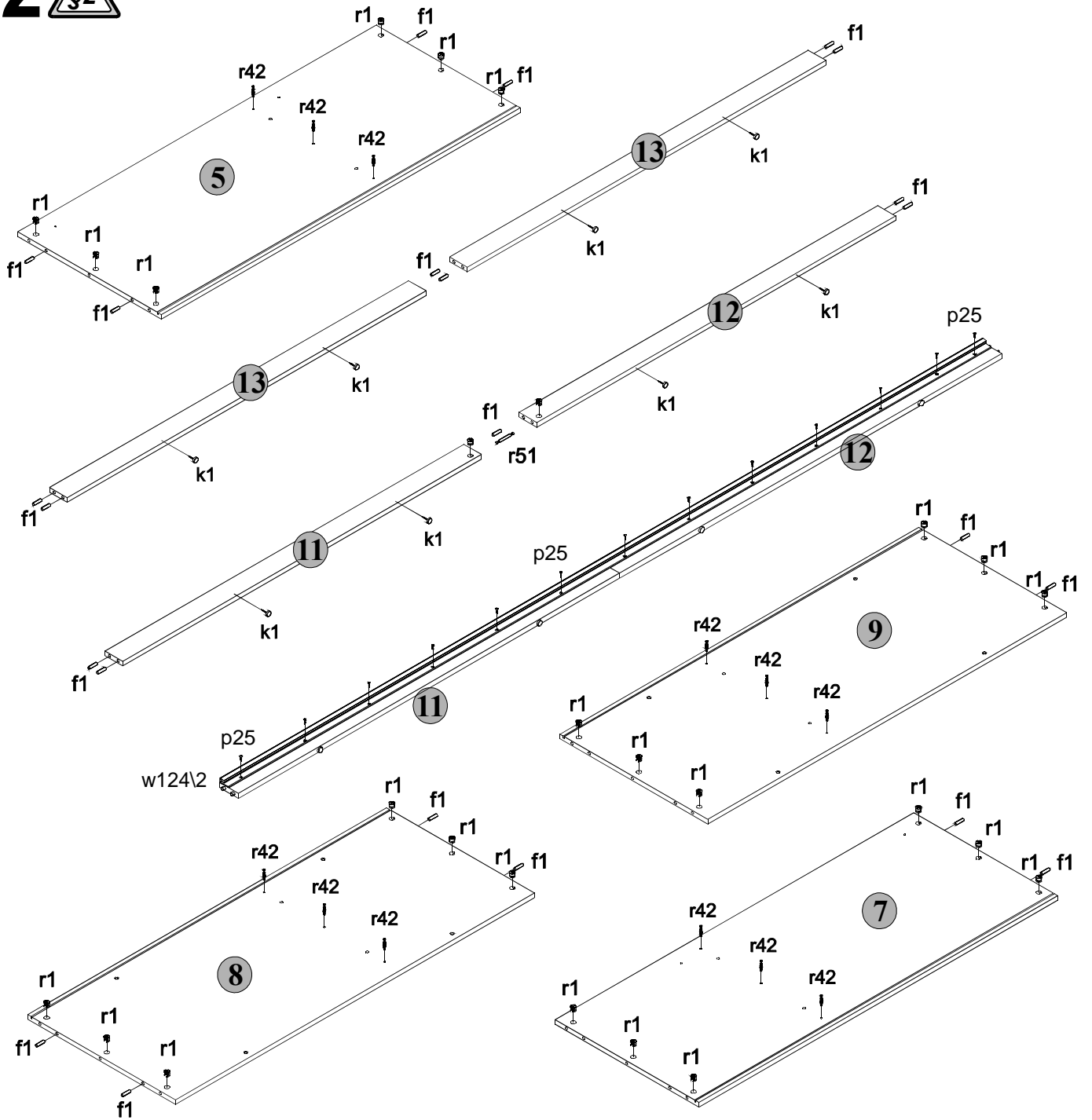


2x 15x30x821 mm dr821		1x 15x30x981 mm dr981		1x w123/1		1x w124/2		
2x 81x21x15/1.5mm n14	6x d20	8x $\phi 7 \times 50$ mm e1	6x $\phi 6.3 \times 10$ mm e50	31x $\phi 8 \times 30$ mm f1	2x f20	2x f55		
2x M5 j149	2x M5x20 mm j148	36x l2	12x k1	6x n158	4x $\phi 3.5 \times 25$ mm p16	19x $\phi 3.5 \times 16$ mm p25	17x $\phi 4 \times 13$ mm p93	38x $\phi 15 \times 12$ mm #16 r1
18x 6,7/7,8 r37	18x $\phi 20 \times 13.5$ mm #19 r41	24x r42	7x r51	8x s1	38x $\phi 16$ s2	12x $\phi 5$ s4	1x $\phi 8$ s6	1x z1

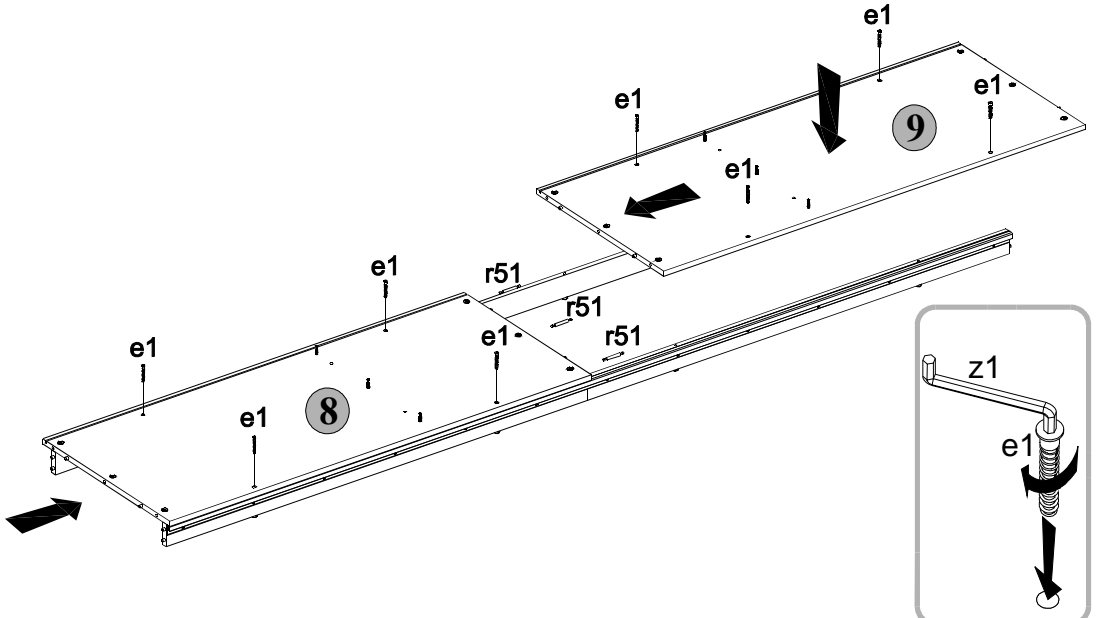
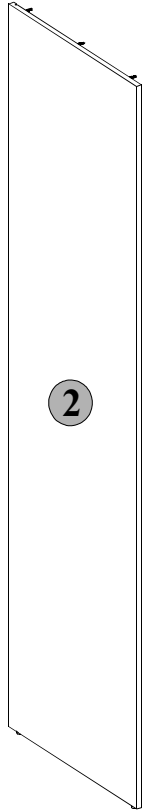
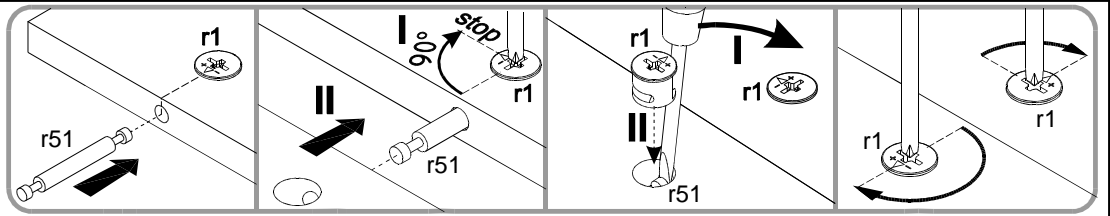
1



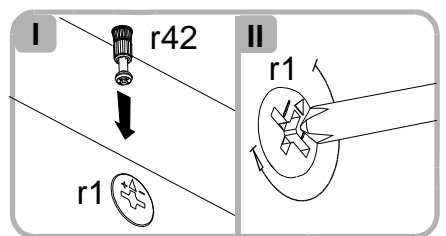
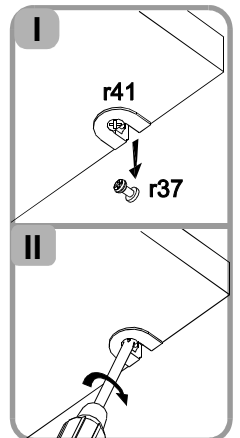
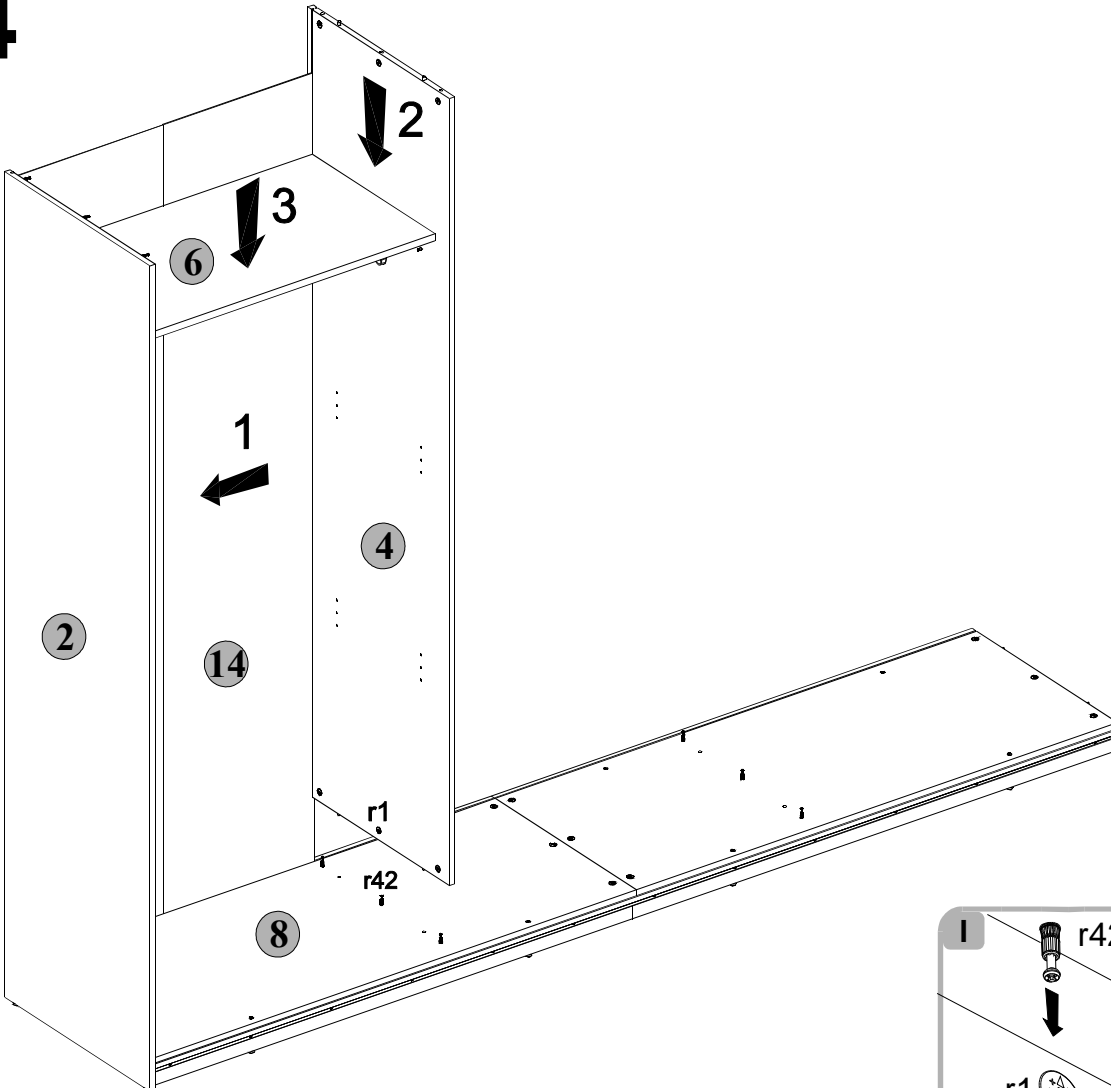
2



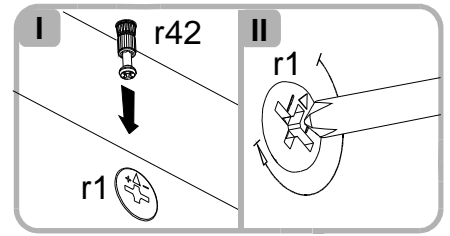
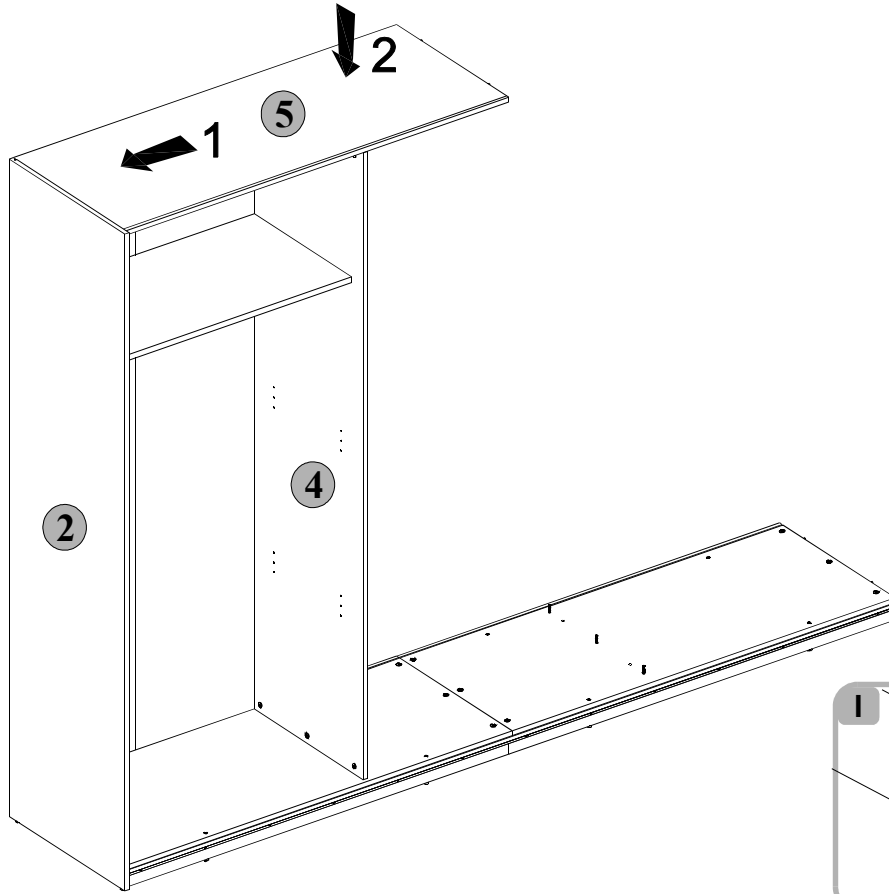
3



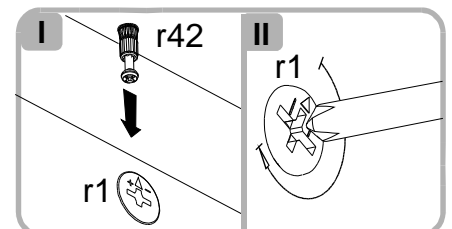
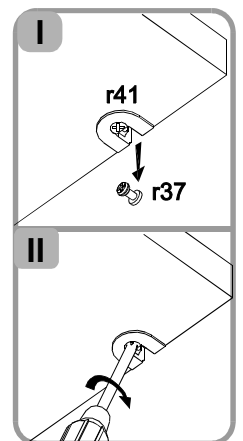
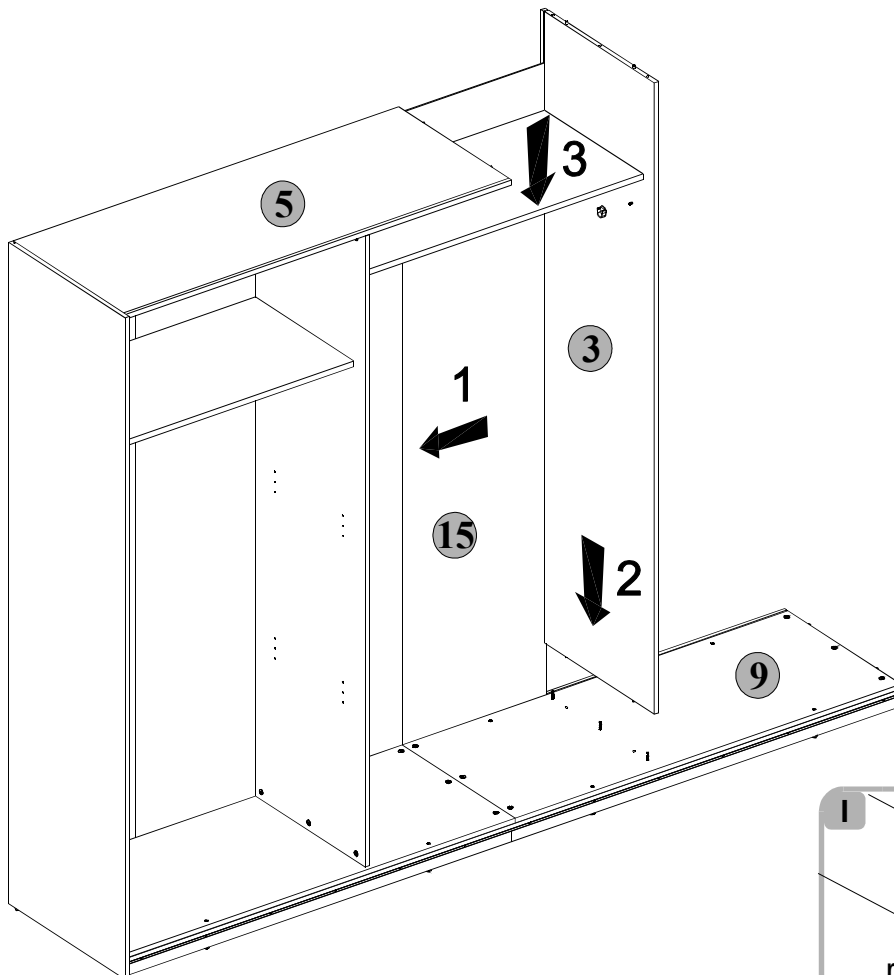
4



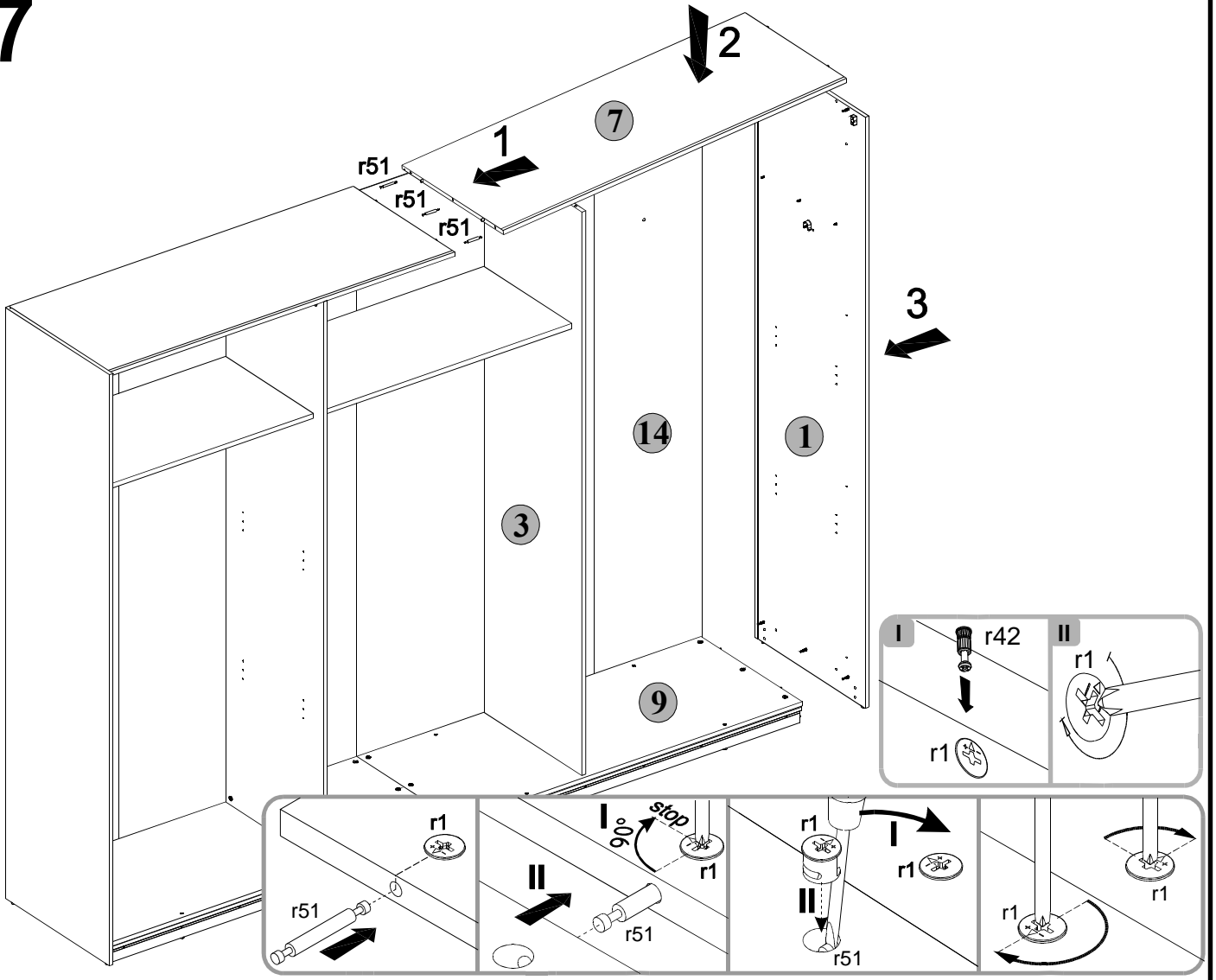
5



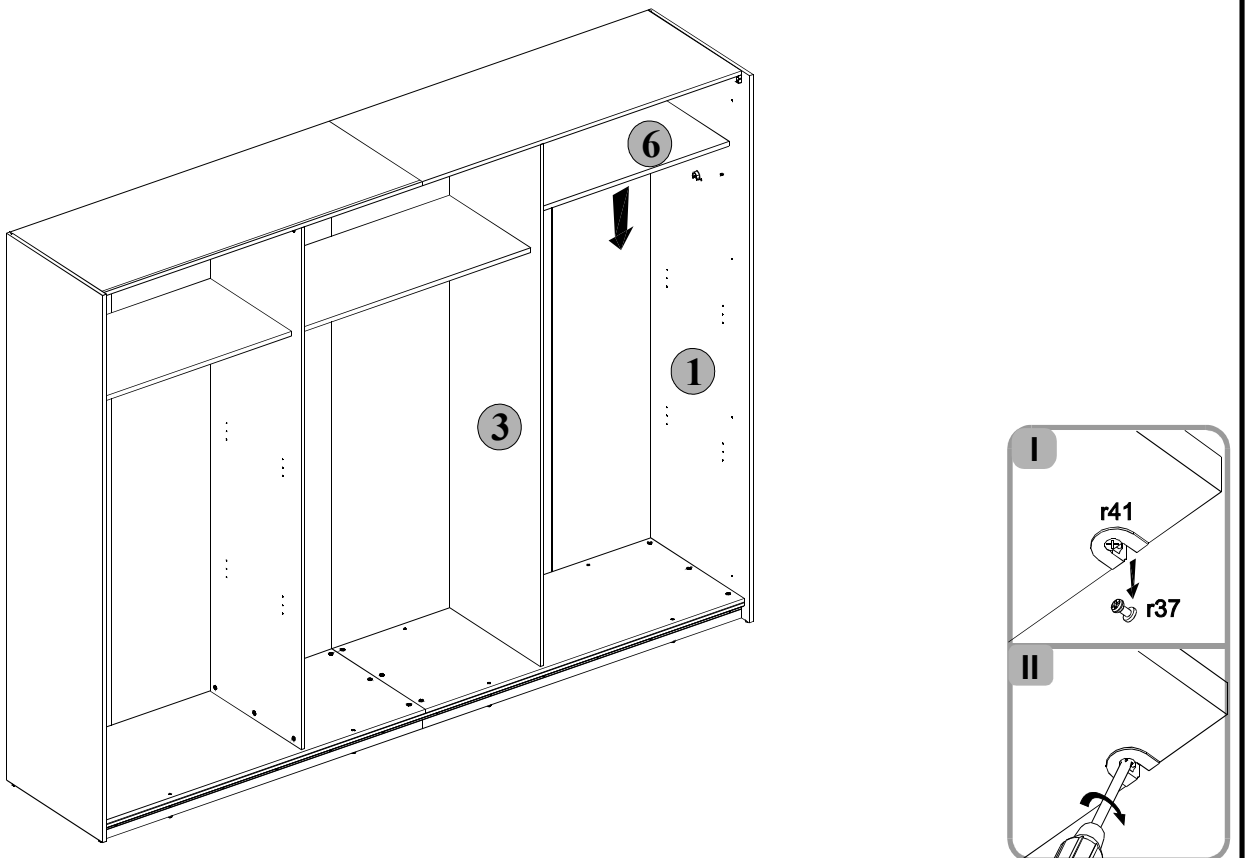
6



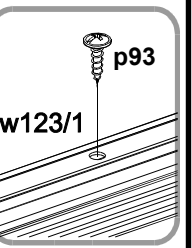
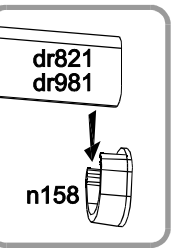
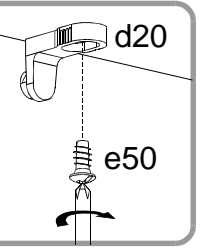
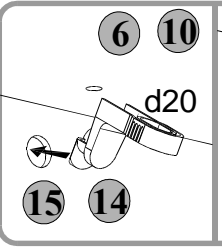
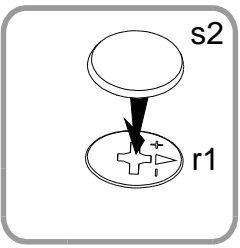
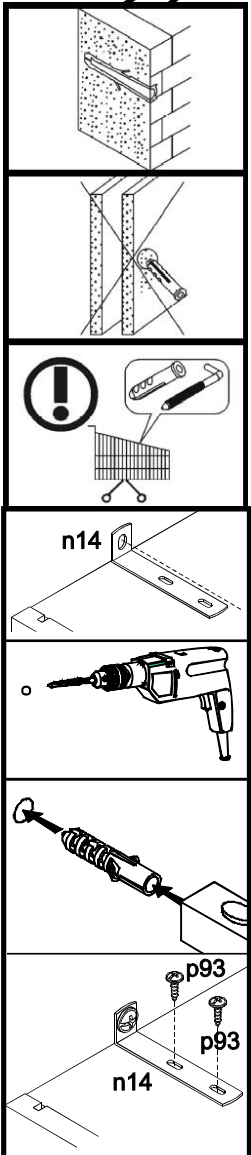
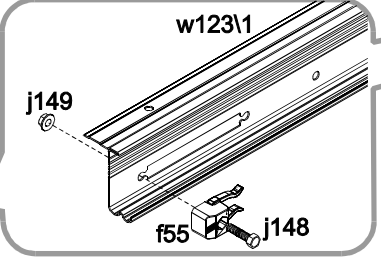
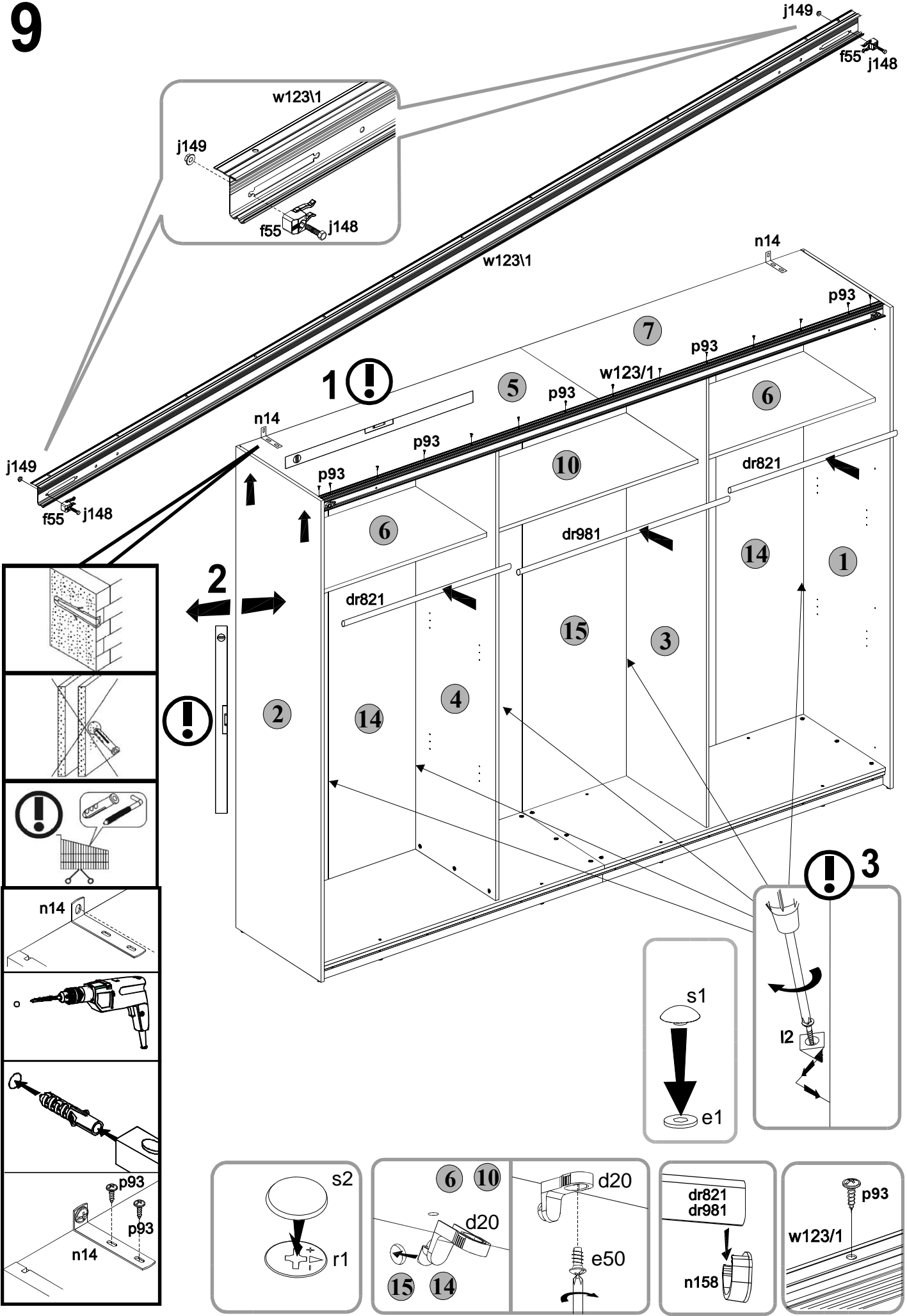
7

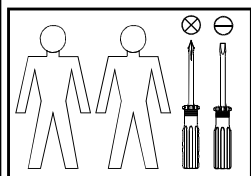
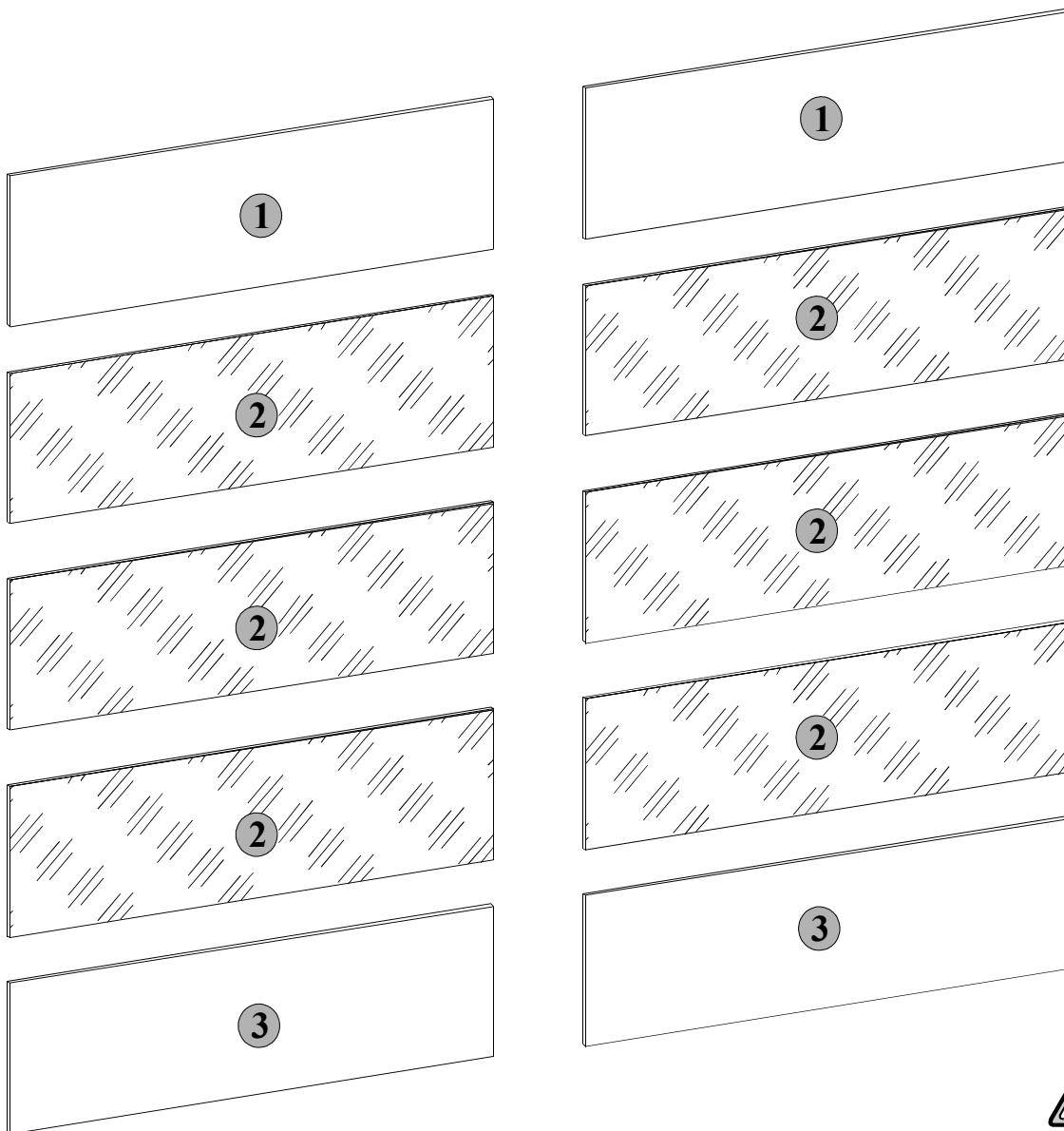
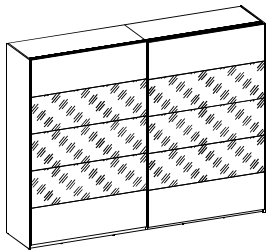


8



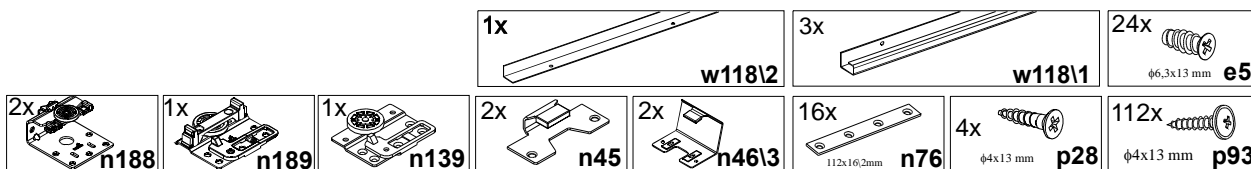
9



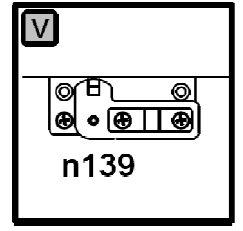
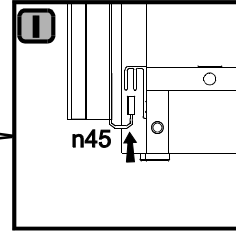
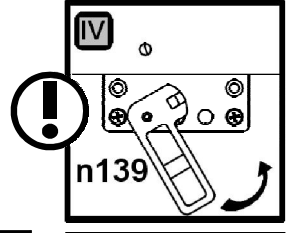
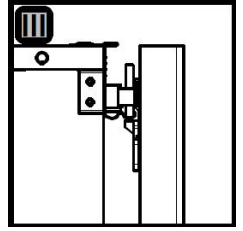
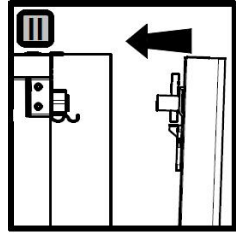
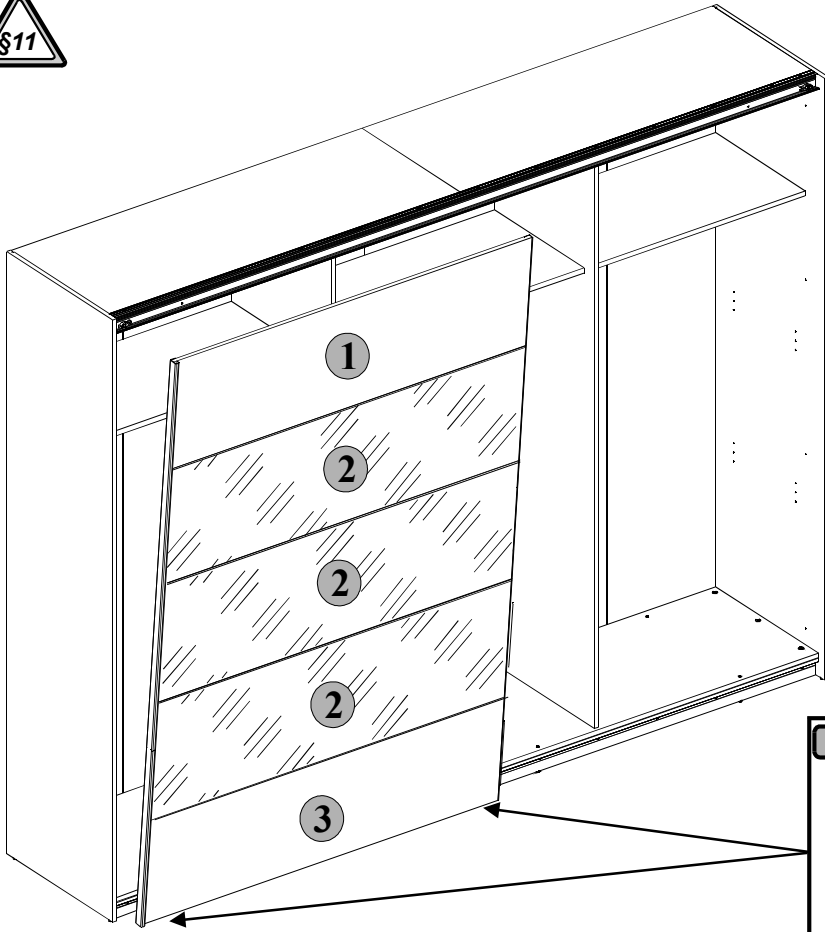


A	B	C	D
1	F27-544	1365x410	4/6;5/6
2	F27-007	1365x410	4/6;5/6
3	F27-563	1365x410	4/6;5/6

0 cm 1 2 3 4 5 6 7 8 9 10 11 12 13 14 15 16 17 18 19



3



4

